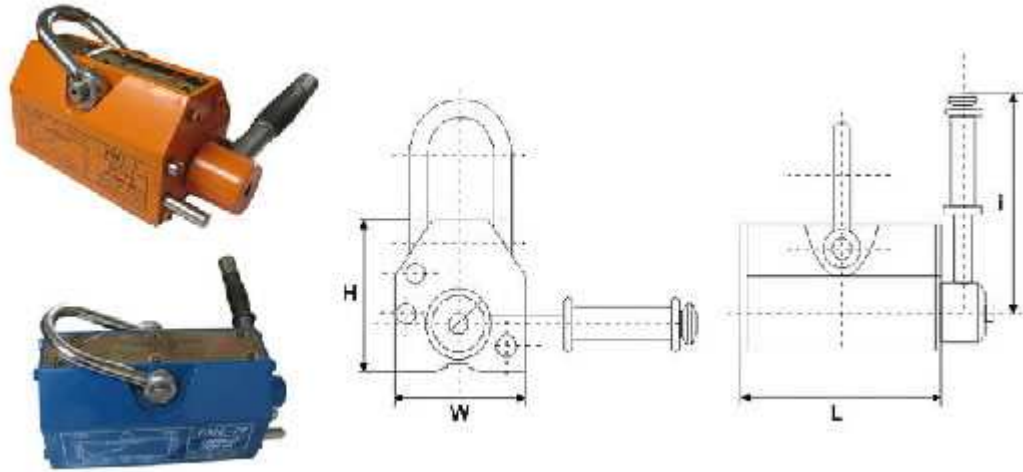


[Magnetic-Lifters](#)

1、 Universal Magnetic Lifters



products name: Magnetic-Lifters

Model No:Magnetic-Lifters

[Related Keywords:] [Magnetic-Lifters](#) [China Magnets](#)

Permanent magnetic lifter has strong magnetic path produced by NdFeB magnet .On and off of the magnetic path is controlled by turning the manual handle. The magnetic lifters have the features of strong attraction, smaller volume , lighter weight, powerful lifting effort , easy and safe to operate, long-period effort and without power supply. Magnetic lifters are been used to lift and transport the steel and iron for factories, docks, ware houses, transportation etc.

Technology Details of Universal Magnetic Lifters

Item No.	Rated lifting strength (kgf)	Cylindrical lifting strength (kgf)	Max. pull-off strength(kgf)	W	L	H	I	Operation temperature (°C)	Dead weight(kg)
PML-1	100	50	350	62	92	67	126	<80	3
PML-3	300	150	1050	92	162	91	155	<80	10
PML-6	600	300	2100	122	232	117	196	<80	24
PML-10	1000	500	3500	176	258	163	285	<80	50
PML-20	2000	1000	7000	234	378	212	426	<80	125
PML-30	3000	1500	10500	286	458	261	521	<80	220
PML-60	6000	3000	19200	296	720	266	700	<80	398

- The safe coefficient of magnet lifter is 3.5
- Dimension can be changed if client requiring.

- PML-60 can be made according to customers' requirements.

2、 Two-magnetic circuit Magnetic lifters

Compared with universal magnetic lifters, two-magnetic circuit magnetic lifters adopt Two-Magnetic Cycle Technology that can obtain more uniform output of magnetic force. When you lifter steel sheet or other ferrite material with rough surface, it is very easy to operate the handle, you can use very light force to roll the handle for opening or closing and let your work very safe and convenient.

It is new design, and we can manufacture lifting magnets according to customers requirement.

Technology Details of Two-magnetic circuit Magnetic lifters

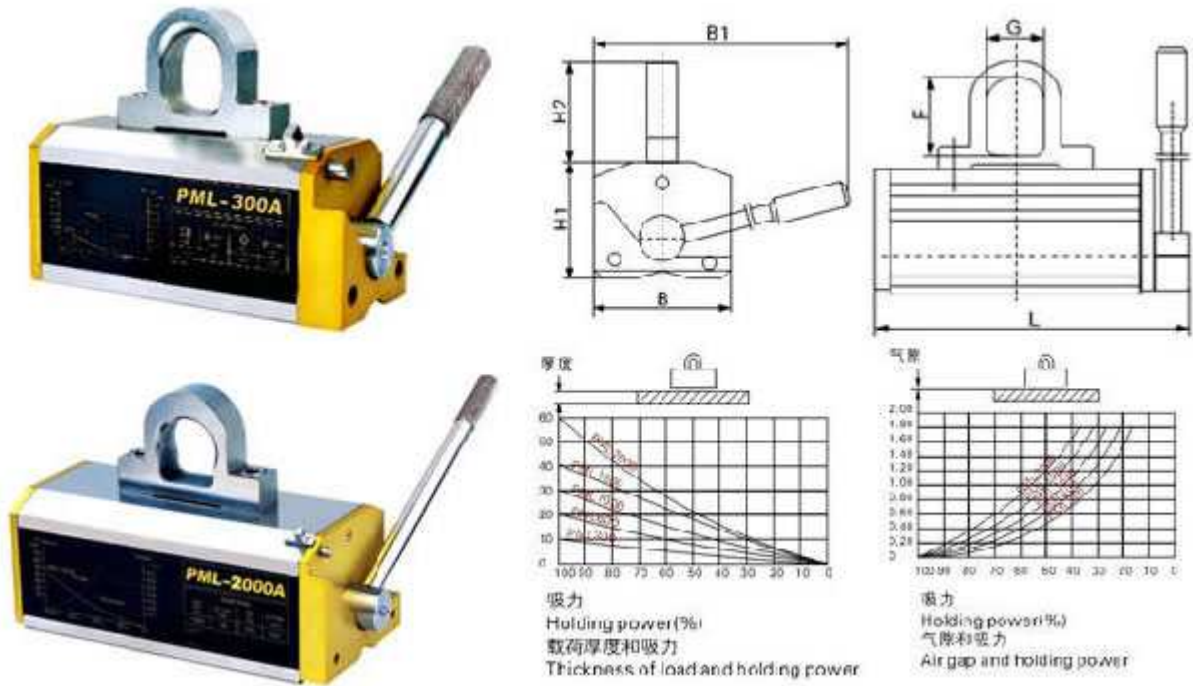
Item No.	Rated lifting strength(kgf)	Max. pull-off strength(kgf)	Length	Width	Height	Magnetic Circuit	Dead weight (kg)
PML-3A	300	900	168	94	130	4	14
PML-6A	600	1800	168	180	130	8	26
PML-10A	1000	3000	168	270	130	12	40

The safe coefficient of magnet lifter is > 3.0



3、 Super Magnetic lifters (Magnetic Lifter, Permanent Magnetic Lifters)

manufacture super 300KGF, 600KGF, 1000KGF, 1500KGF, 2000KGF Magnetic lifters for worldwide customers. This type of Magnetic Lifters have very good quality and nice appearance, and the price is a little higher than universal type.



Technology Details of Super Magnetic lifters

Item No.	Rated lifting strength(kgf)	Cylindrical lifting strength(kgf)	Max. pull-off strength(kgf)	L	L1	B	H1	H2	B1	F	G	Dead weight(kg)
PML-300A	300	150	1050	203	165	87	89	68	223	45	38	10
PML-600A	600	300	2100	266	226	112	109	89	287	58	45	21
PML-1000A	1000	500	3000	330	290	148	125	95	364	60	52	40
PML-1500A	1500	750	5250	385	330	178	145	118	447	70	65	65
PML-2000A	2000	1000	7000	470	420	178	145	118	487	70	65	83

The safe coefficient of magnet lifter is 3.5

Address :

1st Floor, No 49, ZhongShan Dong Street, NanTou Cheng, NanShan District, ShenZhen, 518052 P.
R.China

Tel: +86-755-86074490/26005690

Fax:+86-755-86074443/86267343

Email:

info@unitedmagnet.com

sales@unitedmagnet.com

Website: <http://www.unitedmagnet.com>